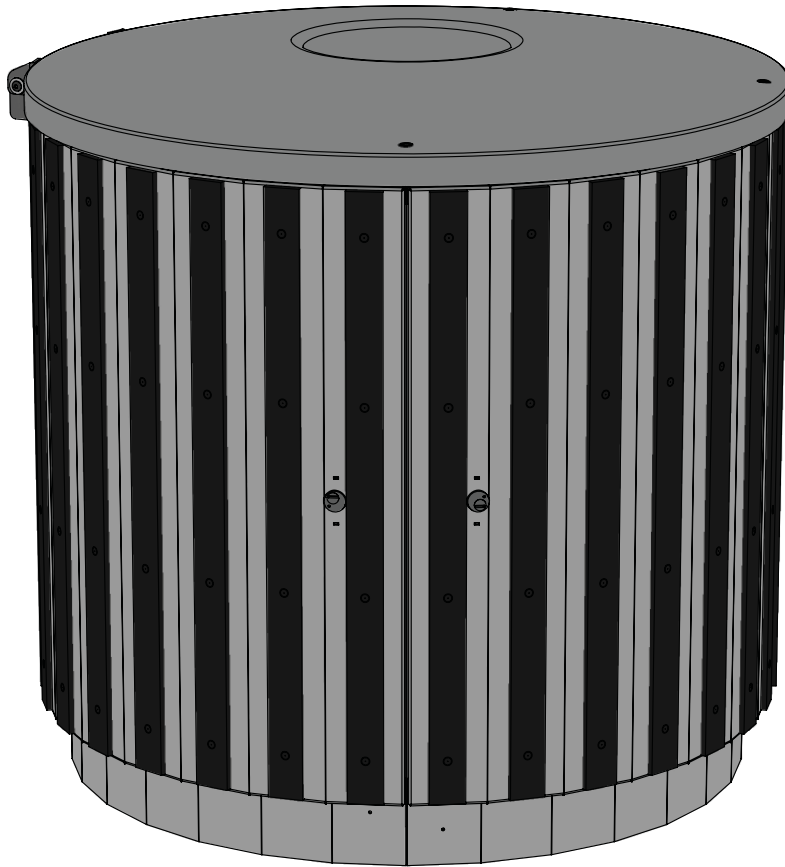


This waste receptacle kiosk offers the functionality of power distribution, communications and control centre all concealed in an attractive receptacle design. It is used in public areas for control of decorative street lighting, sports field lighting, irrigation control, seasonal lighting and other municipal applications.



Features

- Steel construction
- Powder coat finish
- NEMA 3R rated
- Services up to 200A 3 phase
- Up to 18 cct panel
- HOA control
- Communications/irrigation control section
- 28 gallon removeable plastic waste receptacle
- Brass key locked entry doors
- Metered or unmetered
- Thick aluminum bars used for each rib
- Hinged lid with chain stop

Specifications

- Services up to 200A 3 phase
- Up to 18 cct panel
- ETL certified to applicable CSA and UL standards
- 10,000 AIR

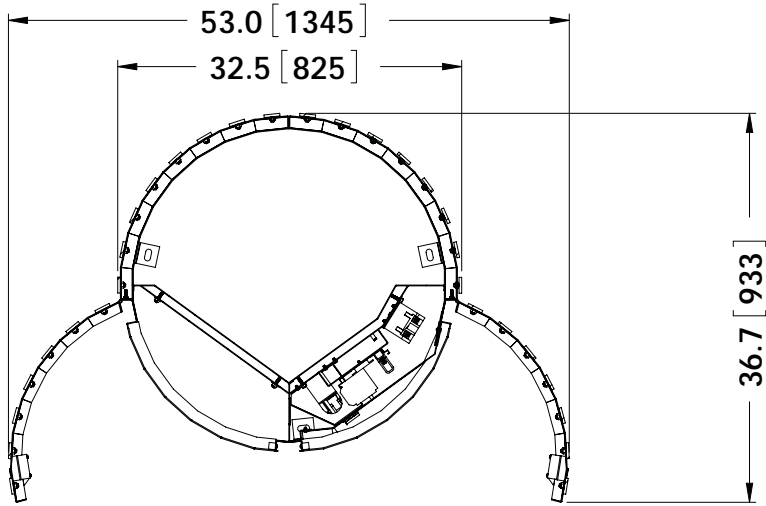
Optional Components

- Meter viewing window
- Contactors
- Test switch
- Lighting controller
- Photocell
- Time clock
- Irrigation controller

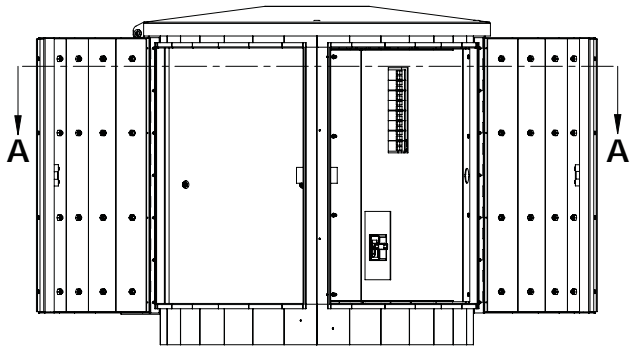
Benefits

This all-in-one device reduces the visual clutter by combining the necessity of a waste receptacle with the housing of all required amenities for public locations including power distribution. Multiple colour, electrical and control options make this a versatile unit.

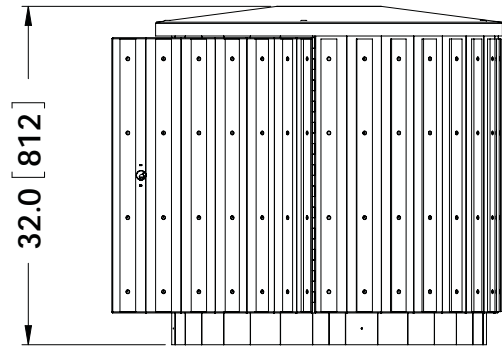




**SECTION A-A
(DOORS OPEN)**



**FRONT VIEW
(DOORS OPEN)**



**SIDE VIEW
(DOORS OPEN)**

PART NUMBER	HEIGHT	WIDTH	DEPTH
WRET	32"	32.5"	32.5"

CONSULT FACTORY FOR OPTIONAL SIZES AND CONFIGURATIONS