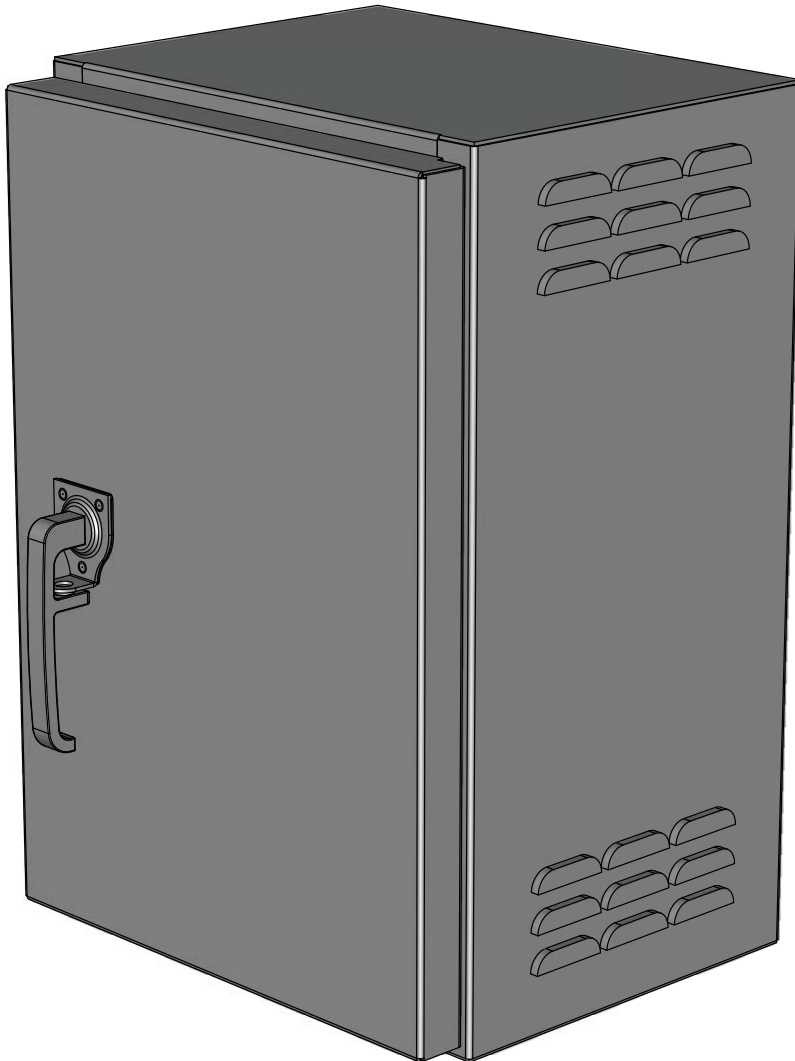


This cabinet is designed to support a small UPS (uninterruptable power supply) and a single large battery or two small batteries.



Features

- 304 (#4) stainless or marine-grade aluminum construction
- Aluminum enclosures are powder-coated ASA 61 Grey
- NEMA 3R rated
- Padlockable stainless steel handle
- Pole mounting holes on back
- Hidden hinges for added security
- 2" chase nipples
- Full aluminum backpan
- Pole wiring access hole and chase nipple
- All mounting hardware included

Specifications

- ETL certified to applicable CSA and UL standards
- MOTBC approved

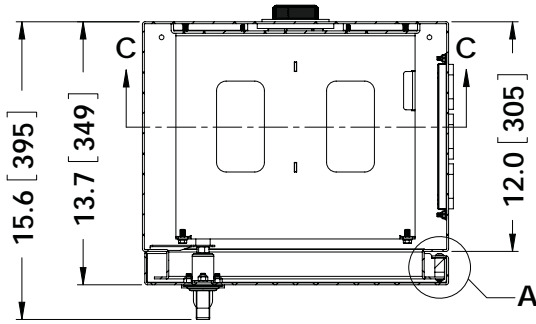
Optional Components

- Heater and thermostat
- Fan and thermostat
- Shelves
- Pre-punched backpan
- Power distribution equipment
- Humidistat

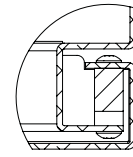
Benefits

This 'mini' style UPS cabinet is used on small intersections or railway crossings. With the filtered louvers, fitted shelf and compact design this cabinet exceeds the requirements for an outdoor rated UPS cabinet.

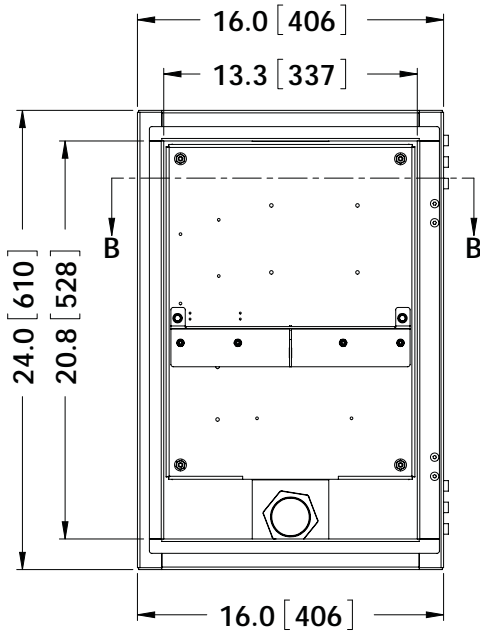




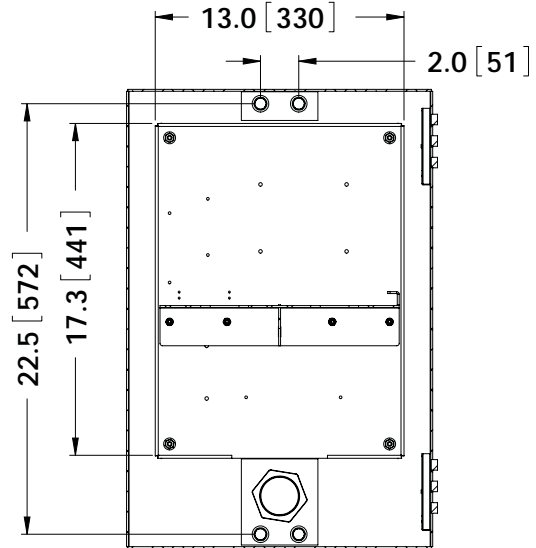
SECTION B-B



DETAIL A



FRONT VIEW
(DOOR REMOVED)



SECTION C-C
(BACK PANEL)

PART NUMBER	HEIGHT	WIDTH	DEPTH	MATERIAL
SPW01-UPS-A	24"	16"	12"	ALUMINUM
SPW01-UPS-S	24"	16"	12"	STAINLESS STEEL

FOR ADDITIONAL OPTIONS CONSULT FACTORY