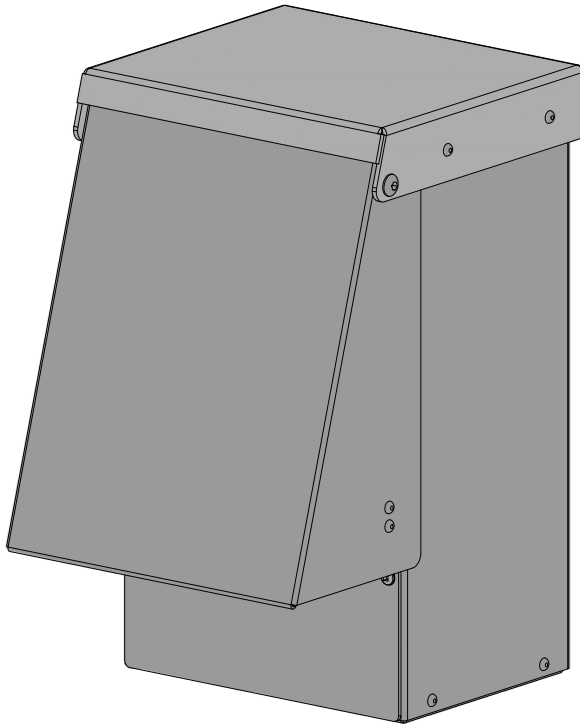


This is the wall/pole mount version of our popular family of RV pedestals. It provides the RV owner with a single power point. Its small physical size makes it easy to install and the flip lid provides superior weather protection.



Features

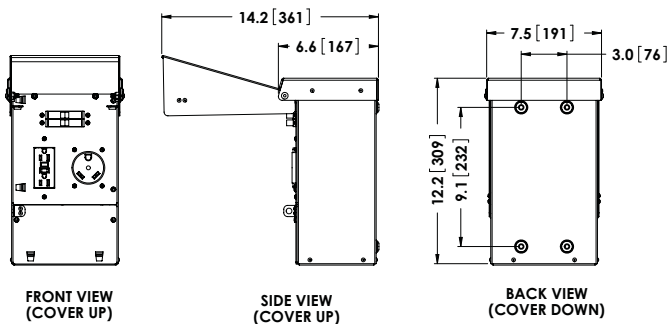
- Galvanized steel construction
- Aluminum cap for additional corrosion protection
- NEMA 3R rated
- Series electrical design (larger amperage breaker protects lower amperage breakers) to prevent main service overload
- Padlockable cover
- Stainless steel exterior hardware
- Standard Parks Green powder coat finish

Specifications

- ETL certified to applicable CSA and UL standards
- 10,000 AIR
- 12"H x 7"W x 5.25"D galvanized steel construction
- Wall mount / post mount holes in rear
- Aluminum cap

Optional Components

- Top light
- Photocell
- Custom RAL powder coat colours including beige, grey and white



TYPICAL RV3 CONFIGURATION



STANDARD RVW PRODUCTS

PART NUMBER	RECEPTACLES		BREAKERS	
	QTY	TYPE	QTY	TYPE
RVW1	1	15A GFI DUPLEX	1	15A 1P
RVW2	2	15A GFI DUPLEX	2	15A 1P
RVW3	1	15A GFI DUPLEX	1	15A 1P
	1	30A 125V CROWFOOT	1	30A 1P
RVW5	1	15A GFI DUPLEX	1	15A 1P
	1	50A 125/250V	1	50A 2P
RVW11	1	30A 125V CROWFOOT	1	30A 1P
	1	50A 125/250V	1	50A 2P
RVW6	1	20A GFI DUPLEX	1	20A 1P
RVW7	2	20A GFI DUPLEX	2	20A 1P
RVW8	1	20A GFI DUPLEX	1	20A 1P
	1	30A 125V CROWFOOT	1	30A 1P
RVW10	1	20A GFI DUPLEX	1	20A 1P
	1	50A 125/250V	1	50A 2P

OPTIONAL COMPONENTS
ADD TO PART NUMBER e.g. RVW3-SPVL

OPTIONS	ADDER
TOP LIGHT	T
PHOTOCELL	P
POWER DISTRIBUTION BLOCKS	L

ALTERNATE RECEPTACLE CONFIGURATION (MAXIMUM 3)
ADD TO PART NUMBER e.g. RVW-AAM-SPV

RECEPTACLE	BREAKER	ADDER
15A DUPLEX GFI	15A 1P	A
20A DUPLEX GFI	20A 1P	B
15A DUPLEX	15A 1P	D
20A DUPLEX	20A 1P	E
15A TL 125V	15A 1P	F
20A TL 125V	20A 1P	G
30A CROWFOOT 125V	30A 1P	H
30A TL 125V	30A 1P	J
30A 125/250V	30A 2P	K
50A 125/250V	50A 2P	M
50A 125/250V TL	50A 2P	Q