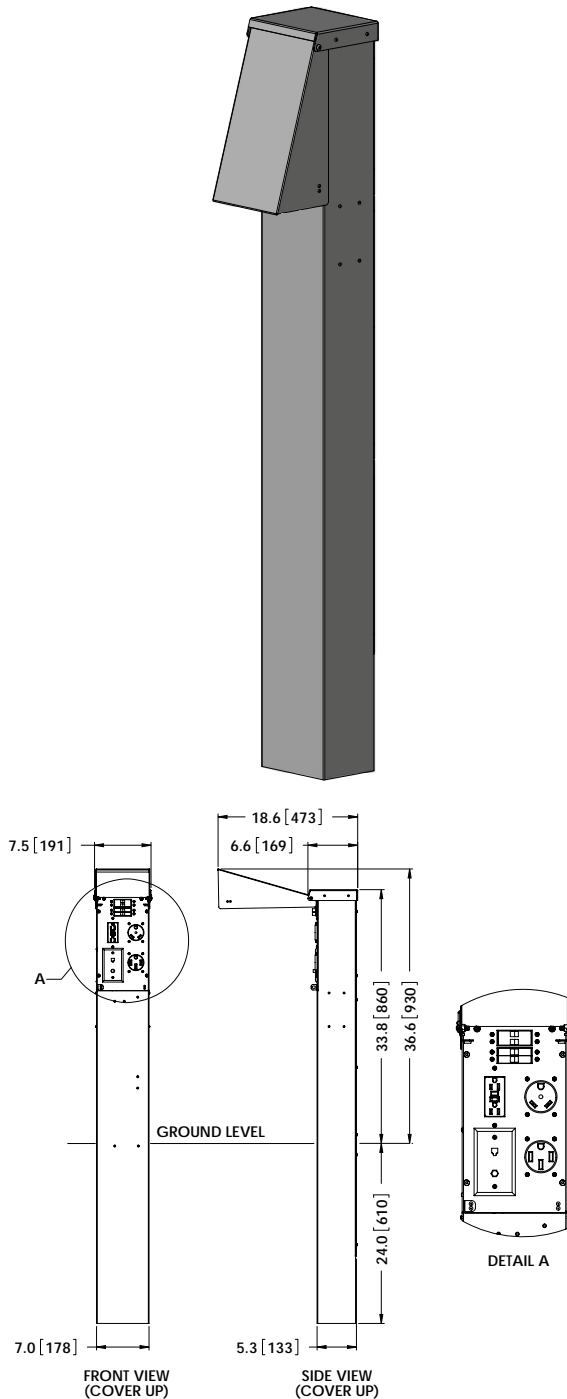


This pedestal style is a direct burial design providing the RV owner with a single power point. All receptacles are protected by breakers on the pedestal.



## Features

- Galvanized steel construction
- Aluminum cap for additional corrosion protection
- NEMA 3R rated
- Loop feed power termination lugs
- Series electrical design (larger amperage breaker protects lower amperage breakers) to prevent main service overload
- Padlockable cover
- Stainless steel exterior hardware
- Low voltage section available
- Standard Parks Green powder coat finish

## Specifications

- ETL certified to applicable CSA and UL standards
- 10,000 AIR
- 34"H x 7"W x 5.25"D galvanized steel construction
- 24" direct burial spade distance
- Aluminum cap
- Standard splitter blocks #14-2/0

## Optional Components

- Top light
- Side light
- Photocell
- Low voltage section with cable telephone or network outlets
- Custom lug configurations
- Custom RAL powder coat colours including beige, grey and white

TYPICAL RVB4-CV CONFIGURATION



**STANDARD RVB PRODUCTS**

| PART NUMBER | RECEPTACLES |                   | BREAKERS |        |
|-------------|-------------|-------------------|----------|--------|
|             | QTY         | TYPE              | QTY      | TYPE   |
| RVB1        | 1           | 15A GFI DUPLEX    | 1        | 15A 1P |
| RVB2        | 2           | 15A GFI DUPLEX    | 2        | 15A 1P |
| RVB3        | 1           | 15A GFI DUPLEX    | 1        | 15A 1P |
|             | 1           | 30A 125V CROWFOOT | 1        | 30A 1P |
| RVB4        | 1           | 15A GFI DUPLEX    | 1        | 15A 1P |
|             | 1           | 30A 125V CROWFOOT | 1        | 30A 1P |
|             | 1           | 50A 125/250V      | 1        | 50A 2P |
| RVB5        | 1           | 15A GFI DUPLEX    | 1        | 15A 1P |
|             | 1           | 50A 125/250V      | 1        | 50A 2P |
| RVB6        | 1           | 20A GFI DUPLEX    | 1        | 20A 1P |
| RVB7        | 2           | 20A GFI DUPLEX    | 2        | 20A 1P |
| RVB8        | 1           | 20A GFI DUPLEX    | 1        | 20A 1P |
|             | 1           | 30A 125V CROWFOOT | 1        | 30A 1P |
| RVB9        | 1           | 20A GFI DUPLEX    | 1        | 20A 1P |
|             | 1           | 30A 125V CROWFOOT | 1        | 30A 1P |
|             | 1           | 50A 125/250V      | 1        | 50A 2P |
| RVB10       | 1           | 20A GFI DUPLEX    | 1        | 20A 1P |
|             | 1           | 50A 125/250V      | 1        | 50A 2P |

**OPTIONAL COMPONENTS**

ADD TO PART NUMBER e.g. RVB3-SPVL

| OPTIONS     | ADDER |
|-------------|-------|
| TOP LIGHT   | T     |
| SIDE LIGHT  | S     |
| PHOTOCELL   | P     |
| CUSTOM LUGS | L     |
| CABLE       | C     |
| TELEPHONE   | V     |
| NETWORK     | N     |

**ALTERNATE RECEPTACLE CONFIGURATION (MAXIMUM 3)**

ADD TO PART NUMBER e.g. RVB-AAM-SPV

| RECEPTACLE        | BREAKER | ADDER |
|-------------------|---------|-------|
| 15A DUPLEX GFI    | 15A 1P  | A     |
| 20A DUPLEX GFI    | 20A 1P  | B     |
| 15A DUPLEX        | 15A 1P  | D     |
| 20A DUPLEX        | 20A 1P  | E     |
| 15A TL 125V       | 15A 1P  | F     |
| 20A TL 125V       | 20A 1P  | G     |
| 30A CROWFOOT 125V | 30A 1P  | H     |
| 30A TL 125V       | 30A 1P  | J     |
| 30A 125/250V      | 30A 2P  | K     |
| 50A 125/250V      | 50A 2P  | M     |
| 50A 125/250V TL   | 50A 2P  | Q     |