

RV AND PARKING LOT DISTRIBUTION

www.validmanufacturing.com



Valid Manufacturing specializes in design for campground and parking lot layouts. We are able to work with you to design the electrical power requirements including power pedestals, control and power kiosks and distribution. Layout drawings will be provided showing cable sizes, voltage drop, run lengths and required material to complete the electrification of your site.

We are a fully approved CSA and UL wiring and assembly shop, therefore all pre-wired assemblies and pedestals supplied are manufactured to the highest quality control standards. This fully integrated product is essential in minimizing installation time and getting you up and running in a timely efficient manner.

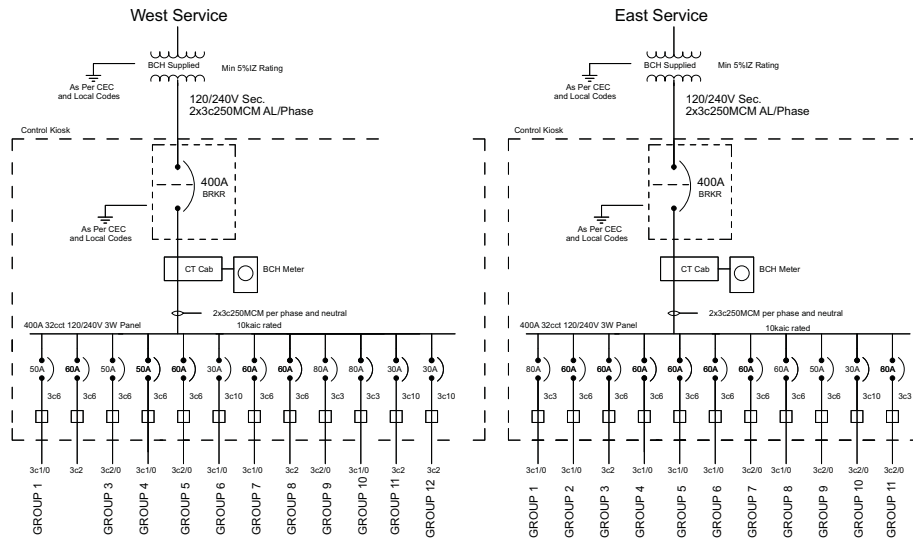
Contact Valid Manufacturing for your full turnkey RV campground solution.



VALID MANUFACTURING Ltd.
Advanced technology... Simple solutions.

Toll Free Phone: 888-632-6477
Phone 250-832-6477
Fax: 250-832-7746
E-mail: sales@validmanufacturing.com

This is a typical example of a layout Valid Manufacturing is able to provide for your campground



West Service

PED #	GROUP	LENGTH	SIZE
151	1		
153	1		
155	1		
145	2		
147	2		
149	2		
156	2		
158	3		
160	3		
162	3		
64	4		
66	4		
68	4		
70	4		
58	5		
60	5		
62	5		
163	6		
65	6		
67	6		
69	6		
146	7		
148	7		
150	7		
152	8		
154	8		
164	9		
165	9		
166	9		
59	10		
61	10		
63	10		
143	11		
143A	11		
39	12		
39A	12		
36 UNITS			

East Service

PED #	GROUP	LENGTH	SIZE
21B	1		
21A	1		
21	1		
19	1		
18	2		
20	2		
22	2		
24	2		
26	2		
32	3		
34	3		
38	3		
33	4		
40	4		
42	4		
44	4		
23	5		
28	5		
30	5		
25	6		
27	6		
29	6		
31	6		
107	7		
21C	7		
21D	7		
107A	8		
107B	8		
107C	8		
107D	8		
112	9		
114	9		
116	9		
108	10		
109	10		
110	10		
101	11		
103	11		
105	11		
39 UNITS			

S. Service Panel A

PED #	GROUP	LENGTH	SIZE
4	1		
6	1		
201	1		
202	1		
173	2		
174	2		
175	2		
8	3		
9	3		
11	3		
13	3		
46	4		
48	4		
48	4		
52	4		
54	4		
56	4		

S. Service Panel B

PED #	GROUP	LENGTH	SIZE
35	1		
37	1		
39	1		
41	1		
17	2		
15	2		
3A	2		
10	3		
12	3		
14	3		
16	3		
3	4		
5	4		
7	4		
6	5		
2	5		
Sewer Pump 10.5A			
33 units plus pump			

West Service

5 units @ 100% @ 30A x 120V divide by 240V = 75A
 10 units @ 75% @ 30A x 120V divide by 240V = 112.5A
 10 units @ 50% @ 30A x 120V divide by 240V = 75A
 11 units @ 25% @ 30A x 120V divide by 240V = 41.25A

303.75A

South Service

5 units @ 100% @ 30A x 120V divide by 240V = 75A
 10 units @ 75% @ 30A x 120V divide by 240V = 112.5A
 10 units @ 50% @ 30A x 120V divide by 240V = 75A
 8 units @ 25% @ 30A x 120V divide by 240V = 30A

292.5A

Plus Sewer Pump - 10.5A
303A

East Service

5 units @ 100% @ 30A x 120V divide by 240V = 75A
 10 units @ 75% @ 30A x 120V divide by 240V = 112.5A
 10 units @ 50% @ 30A x 120V divide by 240V = 75A
 14 units @ 25% @ 30A x 120V divide by 240V = 52.5A

315A