

This pole mount cabinet is larger than the standard size for applications where additional room is required, such as housing for traffic ITS.



Features

- Marine-grade aluminum construction
- Powder-coated ASA 61 Grey
- NEMA 3R rated
- Padlockable 3-point latch mechanism on door
- Recessed handle
- Door stays
- Hidden hinges for added security
- Slanted roof to repel rain, ice and snow
- Complete backpan and side panels
- Convection ventilation with filters
- Threaded hole for pole access wiring
- Adjustable pole mounting brackets
- All mounting hardware included

Specifications

- ETL certified to applicable CSA and UL standards
- MOTBC approved
- 1/8" marine-grade aluminum construction

Optional Components

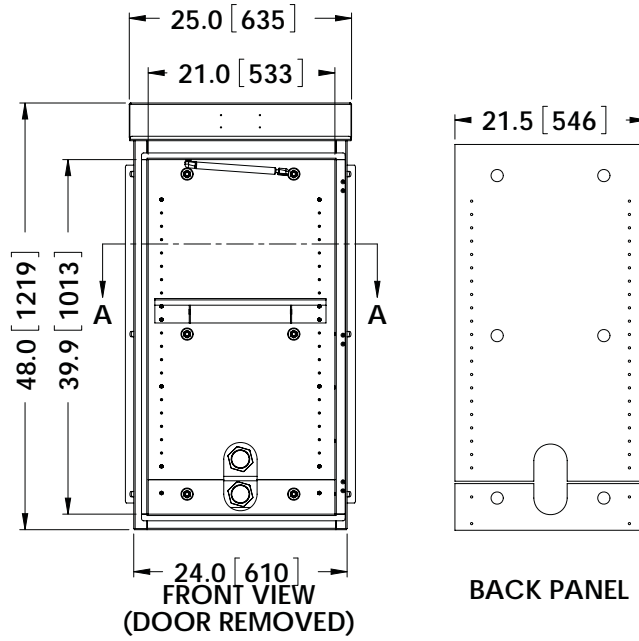
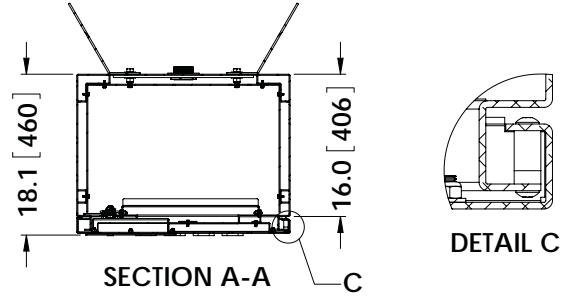
- Heater and thermostat
- Fan and thermostat
- Lights and door switch
- Styrofoam insulation
- Shelves
- Side panels
- Security handle cover
- Electrical controls/power distribution
- Pre-punched backpan
- Recessed handle
- Fold-down laptop tray
- Convenience receptacle
- Custom powder coat colours

Benefits

The size of the cabinet as well as the configuration of the back and side panels allows a large amount of equipment to be installed in a compact area. Plus, increased security is provided by hidden hinges and a recessed handle. This cabinet is usually powder coated ASA-61 grey but additional colours are available.

The adjustable mounting bracket allows installation to any size pole.





ELECTRICAL/
CONTROL CABINETS

| PART NUMBER | HEIGHT | WIDTH | DEPTH | MATERIAL |
|-------------|--------|-------|-------|----------|
| PMC6A | 48" | 24" | 16" | ALUMINUM |

| ADDITIONAL OPTIONS |
|-------------------------|
| HEATER AND THERMOSTAT |
| FAN AND THERMOSTAT |
| LIGHTS AND DOOR SWITCH |
| INSULATED |
| SINGLE ADJUSTABLE SHELF |

CONSULT FACTORY FOR ALL OPTIONAL CONFIGURATIONS