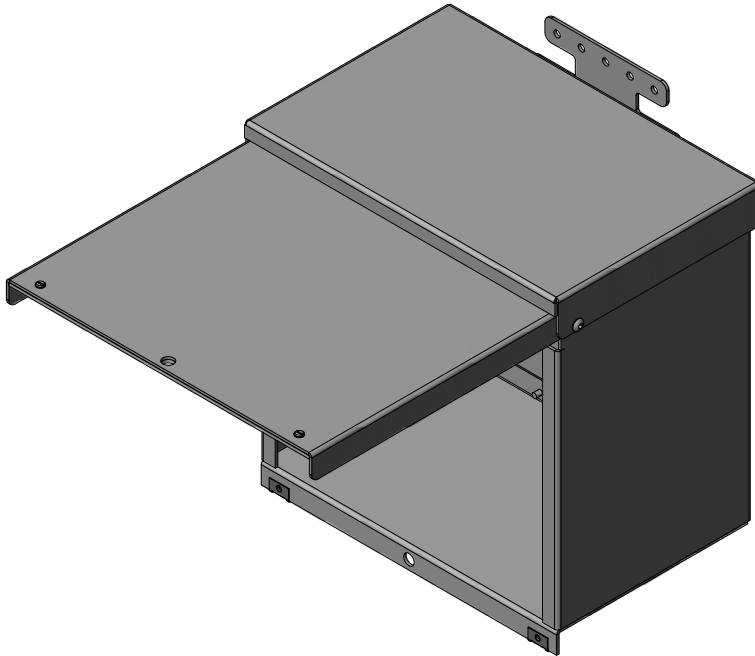


The PMC21 is a budget-sensitive general purpose Type 3R enclosure. This cabinet features a padlockable flip-lid and has a removable back panel. It is ideal for use outdoors as a junction box, pull box or other enclosure. Multiple custom sizes are available.



### Features

- 304 (#4) stainless, marine-grade aluminum or carbon steel construction
- Aluminum and steel enclosures are powder-coated ASA 61 Grey
- NEMA 3R rated
- Padlockable flip-lid
- Complete backpan
- Pole bracket designed for bolt or band-on installation

### Specifications

- ETL certified to applicable CSA and UL standards
- Aluminum enclosures are constructed with 1/8" marine-grade

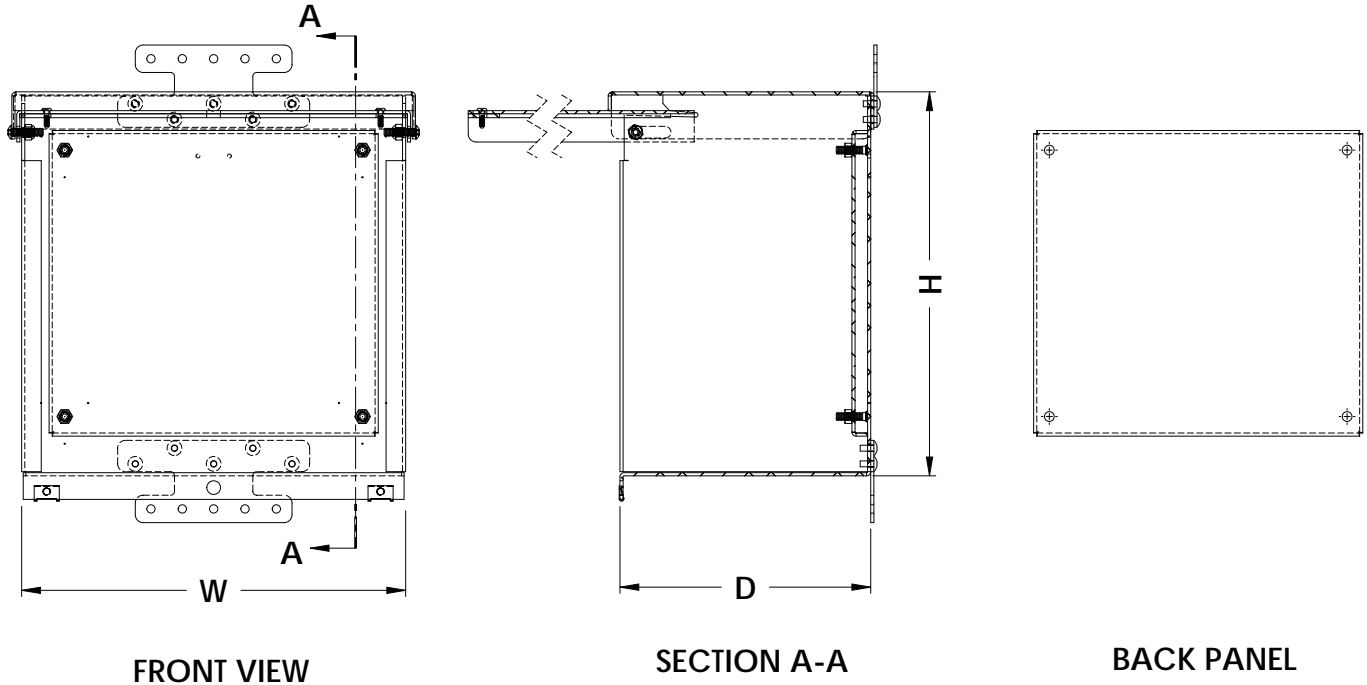
### Optional Components

- Fan and thermostat
- Humidistat
- Louvers
- Filtered louvers
- Custom powder coat colours

### Benefits

This is a cost effective outdoor 3R rated enclosure. With the universal mounting bracket it is suitable for a number of pole mounting applications.





ELECTRICAL/  
CONTROL CABINETS

PART NUMBER	HEIGHT	WIDTH	DEPTH	MATERIAL
PMC21A-121208	12"	12"	8"	ALUMINUM
PMC21S-121208	12"	12"	8"	STAINLESS STEEL
PMC21C-121208	12"	12"	8"	CARBON STEEL
PMC21A-161608	16"	16"	8"	ALUMINUM
PMC21S-161608	16"	16"	8"	STAINLESS STEEL
PMC21C-161608	16"	16"	8"	CARBON STEEL
PMC21A-202008	20"	20"	8"	ALUMINUM
PMC21A-202008	20"	20"	8"	STAINLESS STEEL
PMC21A-202008	20"	20"	8"	CARBON STEEL

ADDITIONAL OPTIONS
HUMIDISTAT
LOUVERS
FILTERED LOUVERS
FAN AND THERMOSTAT

CONSULT FACTORY FOR ALL OPTIONAL CONFIGURATIONS