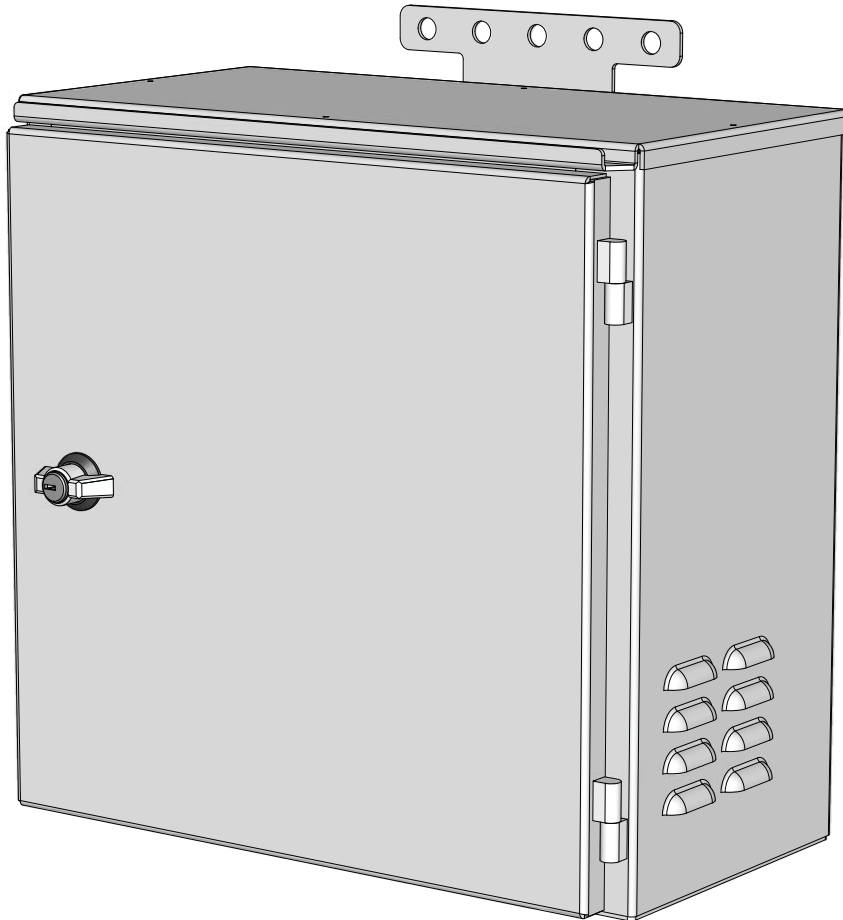


The general purpose Type 3R enclosure is an extension to the PMC family, and features a padlockable tab and key lock 1/4 turn latch. It is ideal for use outdoors as a control cabinet. This enclosure is available in a variety of custom sizes.



### Features

- 304 (#4) stainless, marine-grade aluminum or carbon steel construction
- Aluminum and steel enclosures are powder-coated ASA 61 Grey
- NEMA 3R rated
- Keyed 1/4 turn latch on door
- Padlock tab
- Removable door
- Complete backpan
- Filtered louvers
- Pole bracket designed for bolt or band-on installation

### Specifications

- ETL certified to applicable CSA and UL standards
- Aluminum enclosures are constructed with 1/8" marine-grade

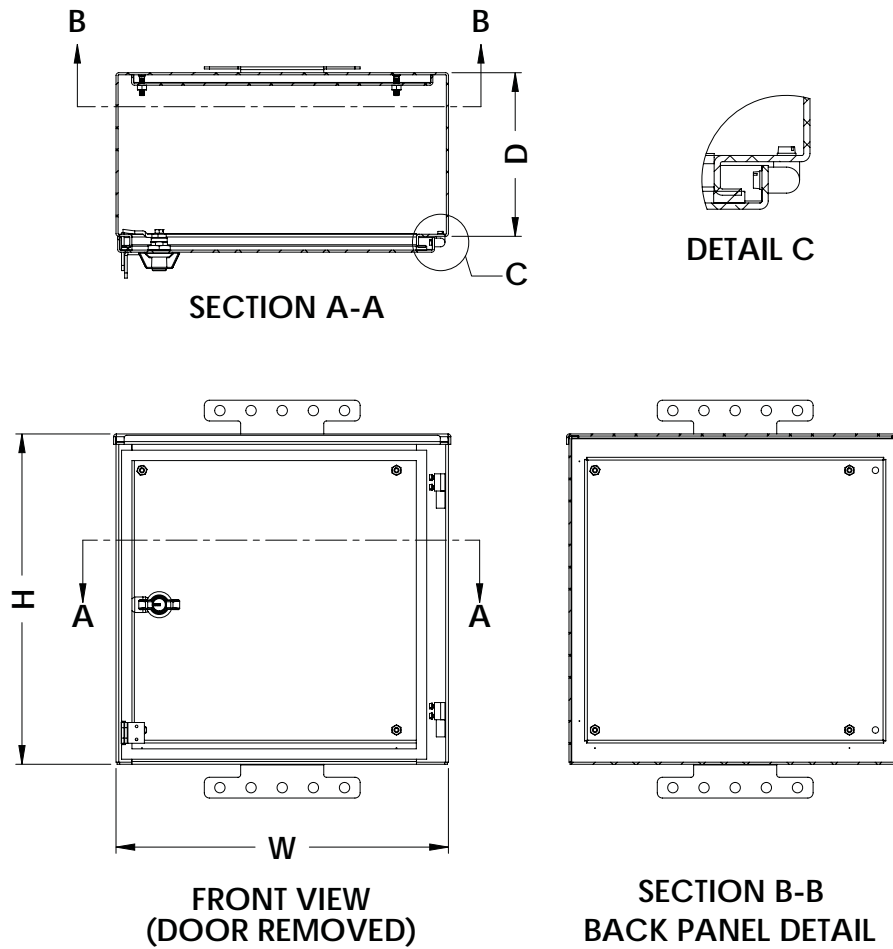
### Optional Components

- Multiple latching configurations
- Styrofoam insulation
- Shelves
- Fan and thermostat
- Humidistat
- Custom powder coat colours

### Benefits

This enclosure has multiple weatherproofing features with a couple of them being a foam door seal to exclude moisture, dust and external elements; and a rain hood over the door to prevent ice buildup. The external hinges allow the door to swing over 180 degrees.





ELECTRICAL/  
CONTROL CABINETS

PART NUMBER	HEIGHT	WIDTH	DEPTH	MATERIAL
PMC18A-121208	12"	12"	8"	ALUMINUM
PMC18S-121208	12"	12"	8"	STAINLESS STEEL
PMC18C-121208	12"	12"	8"	CARBON STEEL
PMC18A-161608	16"	16"	8"	ALUMINUM
PMC18S-161608	16"	16"	8"	STAINLESS STEEL
PMC18C-161608	16"	16"	8"	CARBON STEEL
PMC18A-202008	20"	20"	8"	ALUMINUM
PMC18A-202008	20"	20"	8"	STAINLESS STEEL
PMC18A-202008	20"	20"	8"	CARBON STEEL

ADDITIONAL OPTIONS
INSULATED
SHELVES
SIDE PANELS
FAN AND THERMOSTAT

CONSULT FACTORY FOR ALL OPTIONAL CONFIGURATIONS