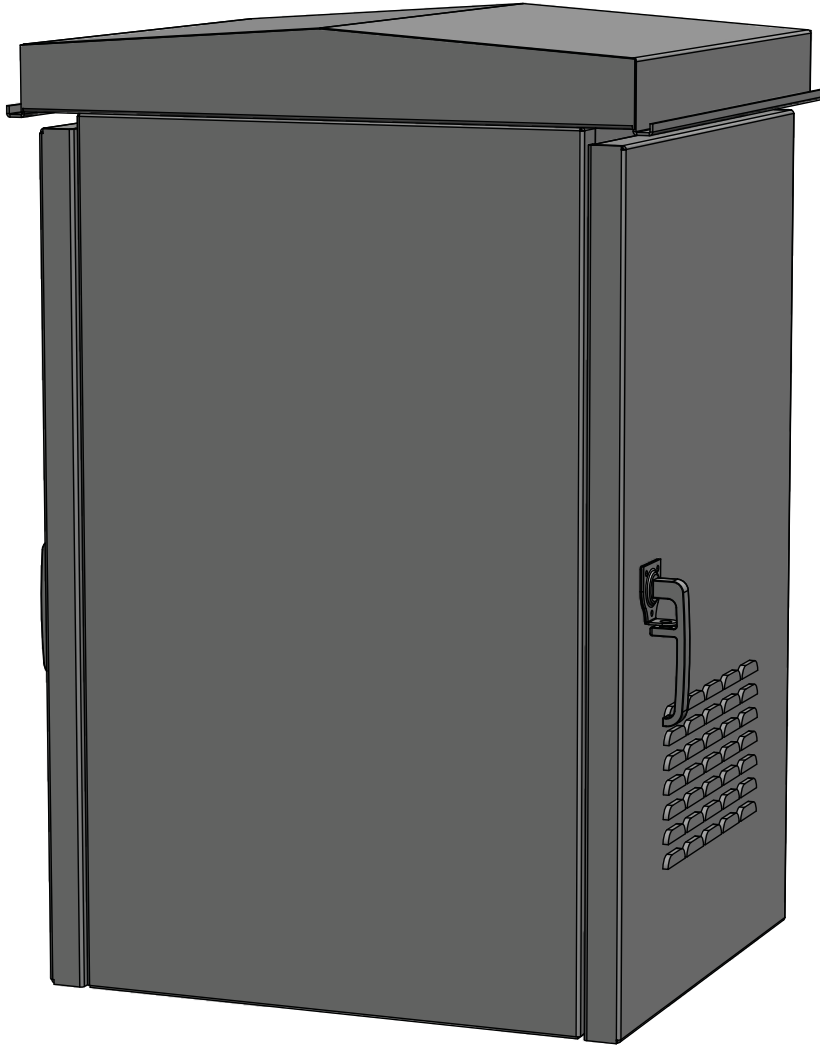


This pole mount cabinet series is available in two standard sizes, and has a 4 post 19" rack complete with front and rear doors for easy access. It is used for telecommunications and applications where there is a requirement for large rack mounted devices.



Features

- Marine-grade aluminum construction
- Powder-coated ASA 61 Grey
- NEMA 3R rated
- Padlockable 3-point latch mechanism on front and rear door
- Hidden hinges for added security
- Door stays
- Slanted roof to repel rain, ice and snow
- 19" 4 post rack
- Filtered louvers
- Threaded holes for pole access wiring
- Adjustable pole mounting brackets
- All mounting hardware included

Specifications

- ETL certified to applicable CSA and UL standards
- 1/8" marine-grade aluminum construction

Optional Components

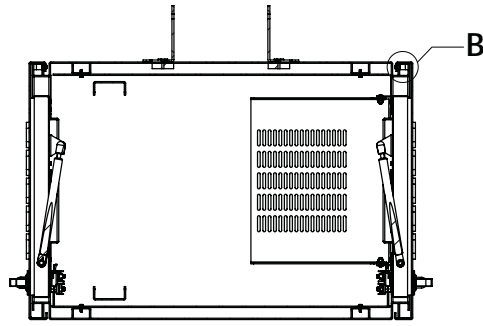
- Heater and thermostat
- Fan and thermostat
- Lights and door switch
- Styrofoam insulation
- Shelves
- Side panels
- Security handle cover
- Electrical controls/power distribution
- Pre-punched back pan
- Recessed handle
- Fold-down laptop tray
- Convenience receptacle
- Custom powder coat colours

Benefits

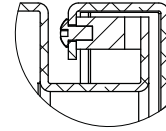
The 19" rack in this cabinet allows mounting of any standard electronic components, and the rear door provides access from the back as well as the front. The painted enclosures come standard ASA 61 grey but can be custom powder coated in any colour.

The adjustable mounting bracket allows installation to any size pole.

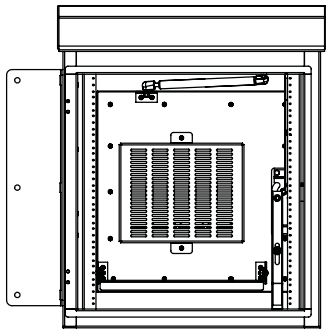




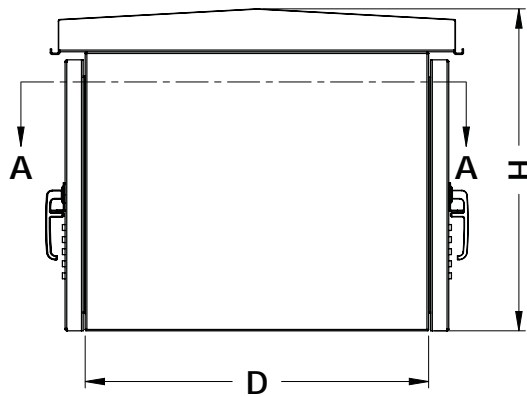
SECTION A-A



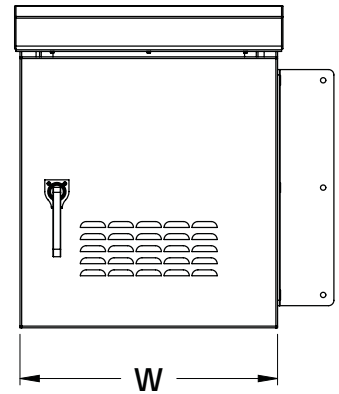
DETAIL B



SIDE VIEW
(DOOR REMOVED)



FRONT VIEW



SIDE VIEW

ELECTRICAL/
CONTROL CABINETS

PART NUMBER	HEIGHT	WIDTH	DEPTH	MATERIAL
PMC11A-302432	30"	24"	32"	ALUMINUM
PMC11A-442424	44"	24"	24"	ALUMINUM

ADDITIONAL OPTIONS
HEATER AND THERMOSTAT
FAN AND THERMOSTAT
LIGHTS AND DOOR SWITCH
INSULATED
SIDE PANELS
ADJUSTABLE SHELF
FOLD DOWN LAPTOP SHELF

CONSULT FACTORY FOR ALL OPTIONAL CONFIGURATIONS