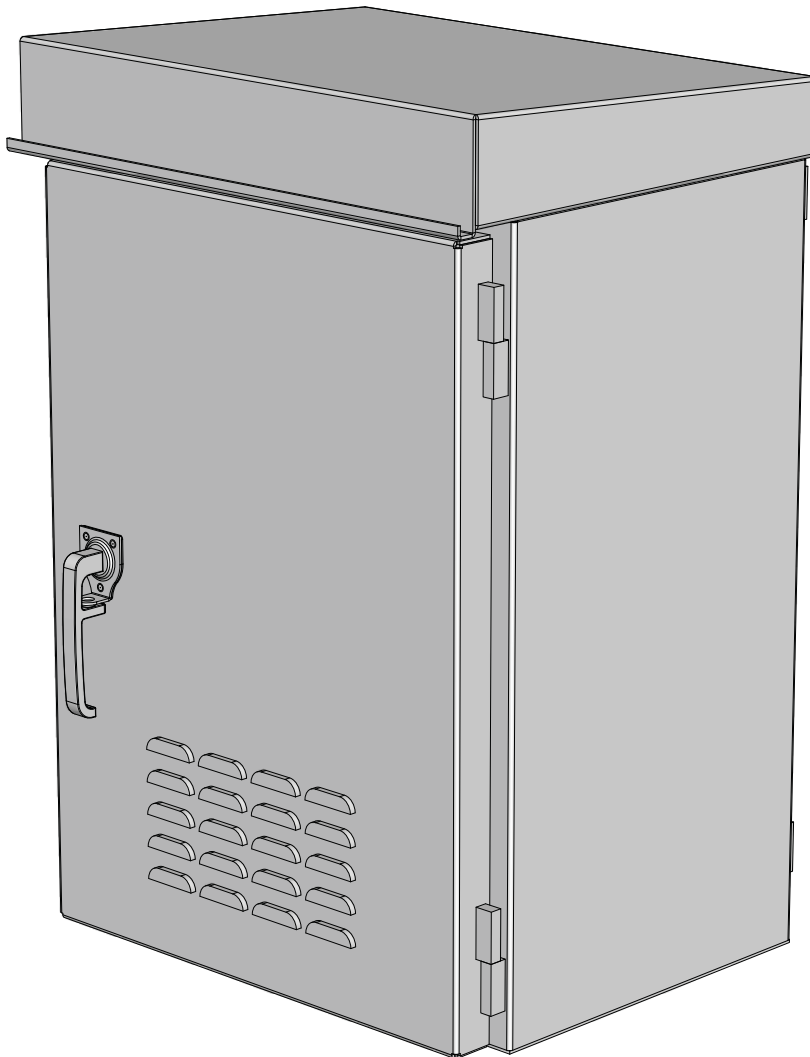


This pole mount cabinet is used by Ministry of Transportation British Columbia and meets all requirements for road and street side controls



Features

- Marine-grade aluminum construction
- Powder-coated ASA 61 Grey
- NEMA 3R rated
- Padlockable 3-point latch mechanism on door
- Door stays
- Slanted roof to repel rain, ice and snow
- Complete backpan
- Filtered louvers
- Pole mounting holes on back
- Adjustable pole mounting brackets
- All mounting hardware included

Specifications

- ETL certified to applicable CSA and UL standards
- MOTBC approved
- 1/8" marine-grade aluminum construction

Optional Components

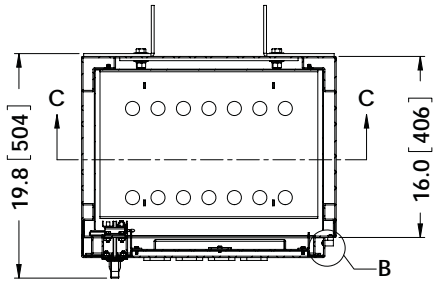
- Heater and thermostat
- Fan and thermostat
- Lights and door switch
- Styrofoam insulation
- Shelves
- Side panels
- Security handle cover
- Electrical controls/power distribution
- Pre-punched backpan
- Recessed handle
- Fold-down laptop tray
- Convenience receptacle
- Custom powder coat colours

Benefits

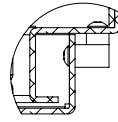
This cabinet is designed to fill the specialty needs for overhead bridge signs, camera controls, cellular signs and other communication control stations. It is usually powder coated ASA 61 Grey but additional colours are available.

A variety of mounting brackets offer easy installation to any size pole.

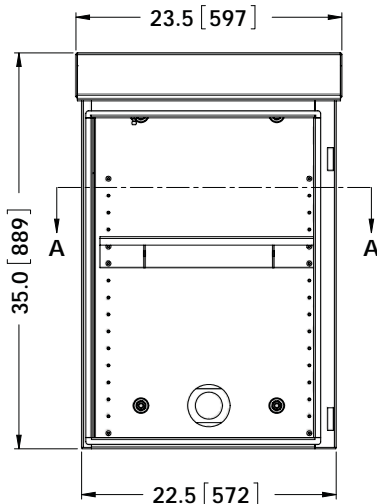




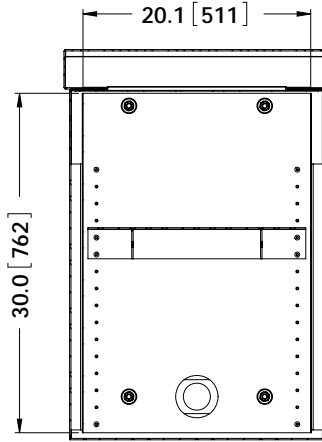
SECTION A-A



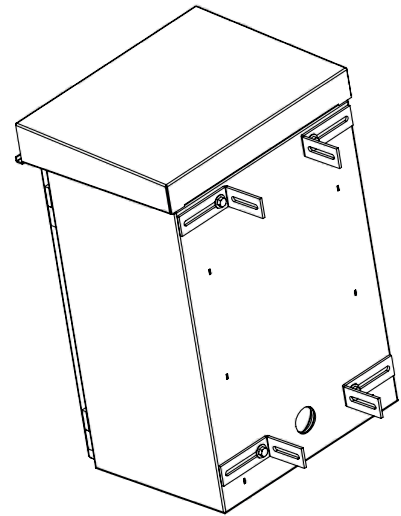
DETAIL B



FRONT VIEW
(DOOR REMOVED)



SECTION C-C
(BACK PANEL DETAIL)



ROTATED ISOMETRIC VIEW

ELECTRICAL/
CONTROL CABINETS

PART NUMBER	HEIGHT	WIDTH	DEPTH	MATERIAL
PMC1A	35"	22.5"	16"	ALUMINUM

ADDITIONAL OPTIONS
HEATER AND THERMOSTAT
FAN AND THERMOSTAT
LIGHTS AND DOOR SWITCH
INSULATED
SIDE PANELS
SINGLE ADJUSTABLE SHELF
SIDE MOUNTS
FENCE MOUNT

CONSULT FACTORY FOR ALL OPTIONAL CONFIGURATIONS