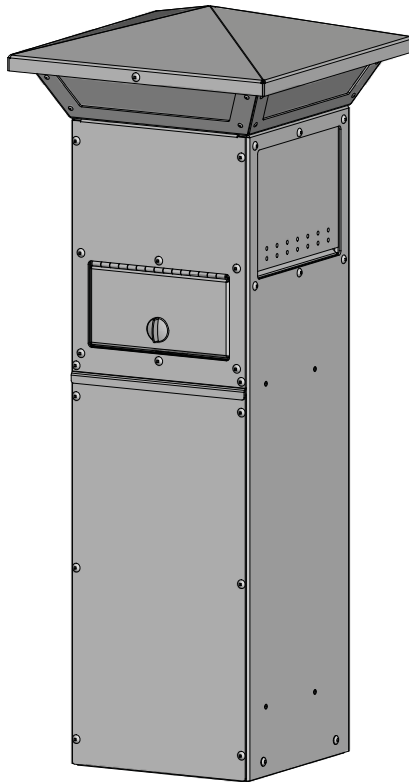


This deck mount aluminum marine power pedestal is designed to give the user a simple but efficient power point as well as an attractive addition to the marina. There is plenty of room for connections and the receptacles and breakers are placed for ease of use and convenience.



Features

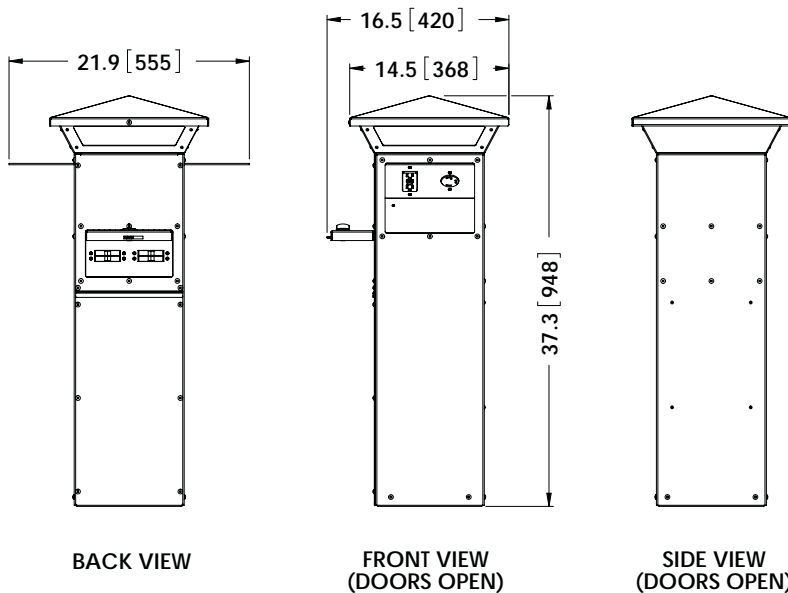
- Marine-grade aluminum construction
- NEMA 3R rated
- Protective breakers for each outlet behind a separate door
- Built in top light
- Stainless steel hardware
- Outlets and breakers protected from the elements
- Standard RAL powder coat colours with multi colour options

Specifications

- ETL certified to applicable CSA and UL standards
- 10,000 AIR
- 120/208/240V
- Up to 6 outlets breaker protected
- Marinc receptacles
- 30"H x 11 3/4"W x 9"D aluminum construction
- Base plate 11 3/4" x 8 1/8"

Optional Components

- Low voltage section
- Water spigot
- Metering system
- Hose support rack
- Fire extinguisher holder
- Photocell
- Non-illuminated



TYPICAL PMAR CONFIGURATION



**STANDARD PMAR PRODUCTS (MAXIMUM 8 SINGLE POLE CCTS)
PART NUMBER PMAR-XXXXXX (WHERE X ARE THE RECEPTACLE ADDER)
e.g. PMAR-AAJJQQ**

RECEPTACLE	BREAKER	ADDER
15A DUPLEX GFI	15A 1P	A
20A DUPLEX GFI	20A 1P	B
15A DUPLEX	15A 1P	D
20A DUPLEX	20A 1P	E
15A TL 125V	15A 1P	F
20A TL 125V	20A 1P	G
30A TL 125V	30A 1P	J
50A TL 125V	50A 1P	R
50A 125/250V TL	50A 2P	Q

**OPTIONAL COMPONENTS
ADD TO PART NUMBER e.g. PMAR-AAJJQQ-WLCN**

OPTIONS	ADDER
LOW VOLTAGE SECTION	Z
WATER SPIGOT	W
PHOTOCELL	P
METERING SYSTEM	M
CABLE	C
TELEPHONE	V
NETWORK	N
HOSE SUPPORT RACK	H
FIRE EXTINGUISHER HOLDER	F
NON-ILLUMINATED	D