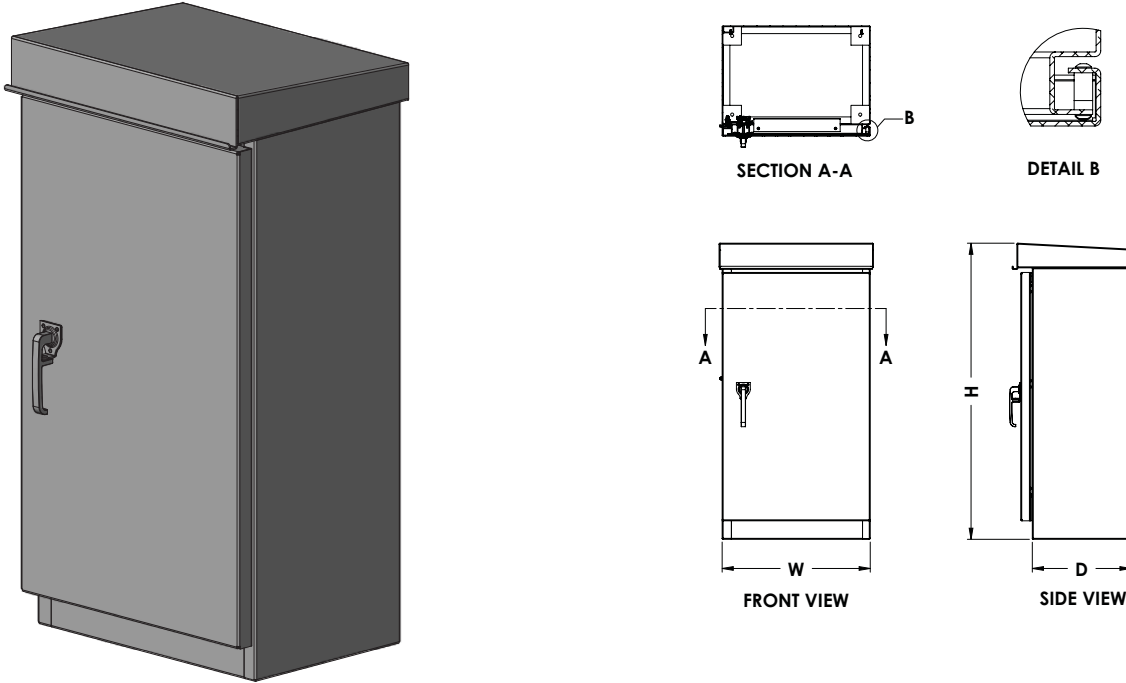


This is the single-sided single door model padmount enclosure. Standard sizes of this model are up to 72”H and 60”W.



TYPICAL KSD PADMOUNT ENCLOSURE DRAWING

**PREMIUM STYLE ENCLOSURES**

PART NUMBER	HEIGHT	WIDTH	DEPTH	MATERIAL
KSDS423016P	42"	30"	16"	STAINLESS STEEL
KSDA482416P	48"	24"	16"	ALUMINUM
KSDS482416P	48"	24"	16"	STAINLESS STEEL
KSDA483016P	48"	30"	16"	ALUMINUM
KSDA483616P	48"	36"	16"	ALUMINUM
KSDA484224P	48"	42"	24"	ALUMINUM
KSDA526024P	52"	60"	24"	ALUMINUM
KSDA526630P	52"	66"	30"	ALUMINUM
KSDA603618P	60"	36"	18"	ALUMINUM
KSDA603624P	60"	36"	24"	ALUMINUM
KSDA604818P	60"	48"	18"	ALUMINUM
KSDA724830P	72"	48"	30"	ALUMINUM
KSDA726024P	72"	60"	24"	ALUMINUM

ADDITIONAL SIZES AND MATERIALS AVAILABLE, CONSULT FACTORY

