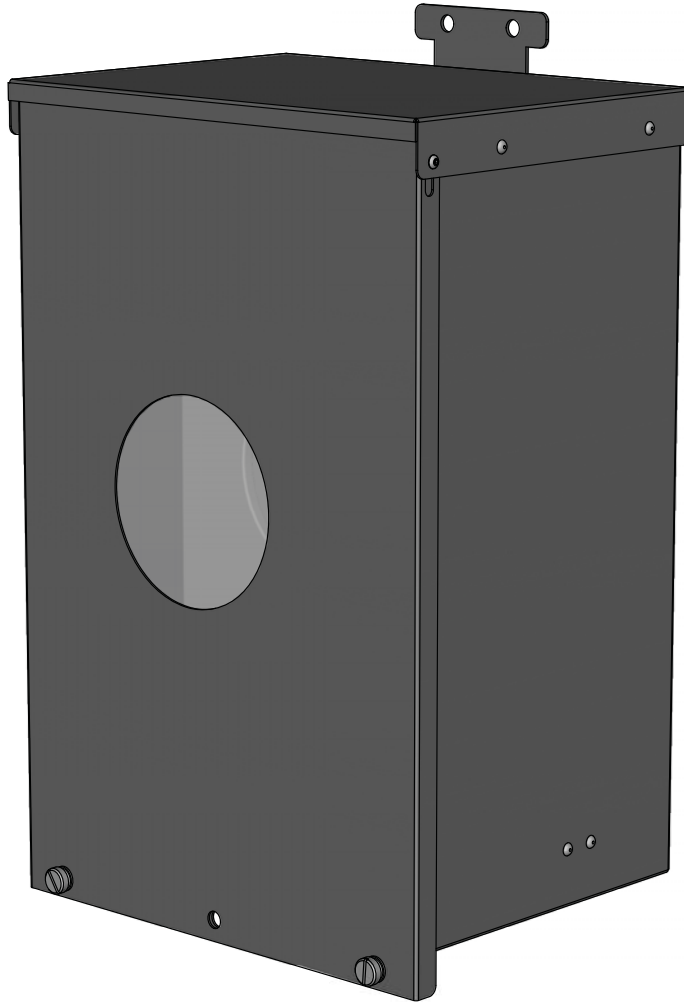


This meter base cabinet is designed for applications where the glass meter cannot be exposed to the elements. It is used on poles or walls and designed for underground and overhead services.



Features

- 304 (#4) stainless steel construction
- Padlockable cover
- NEMA 3R rated
- Meter base included
- All mounting hardware included
- Overhead and underground feed
- Pole bracket designed for bolt or band-on installation

Specifications

- 125/250 VAC 1 phase
- 10,000 AIR
- ETL certified to applicable CSA and UL standards
- MOTBC approved
- Up to 200 amp services

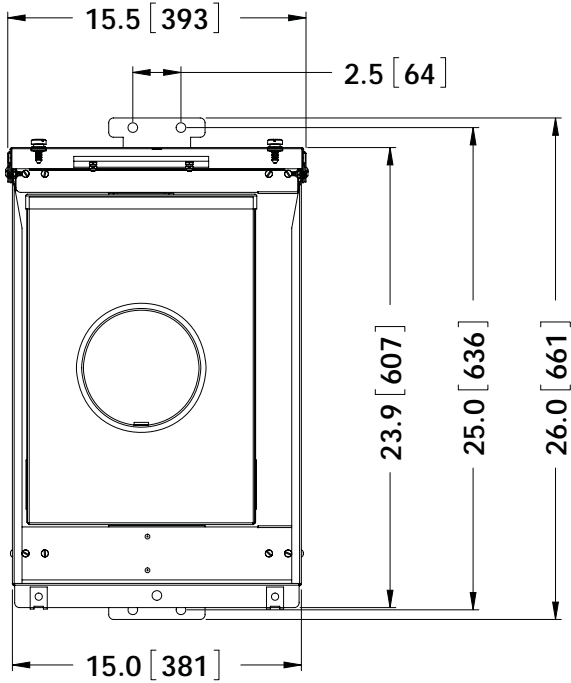
Optional Components

- Snowplow debris shield
- Aluminum construction
- 1/2" thick lexan meter viewing window

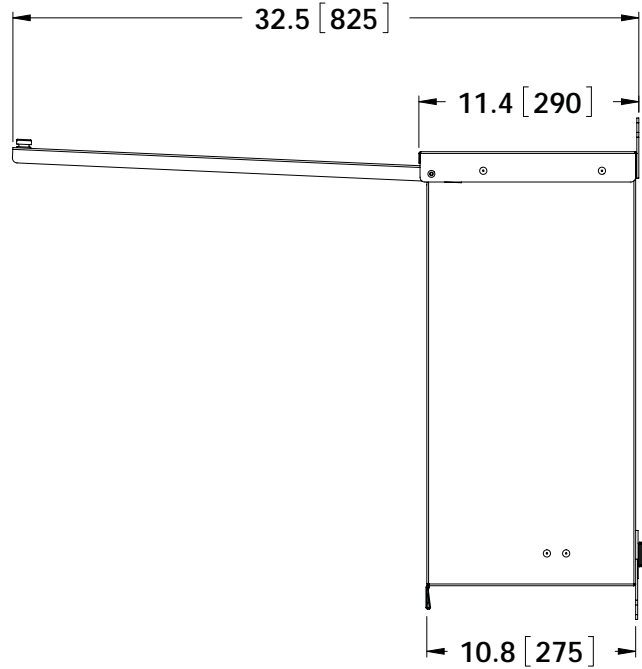
Benefits

This basic cabinet is designed to give the glass meter protection from vandalism and accidental damage from snowplows and other external elements.





**FRONT VIEW
(COVER UP)**



**SIDE VIEW
(COVER UP)**

PART NUMBER	HEIGHT	WIDTH	DEPTH	VIEWING WINDOW	METER BASE
HWYSMC-A01-10N	24"	15.5"	11.5"	NONE	200A
HWYSMC-A01-10W	24"	15.5"	11.5"	YES	200A

FOR ADDITIONAL OPTIONS CONSULT FACTORY