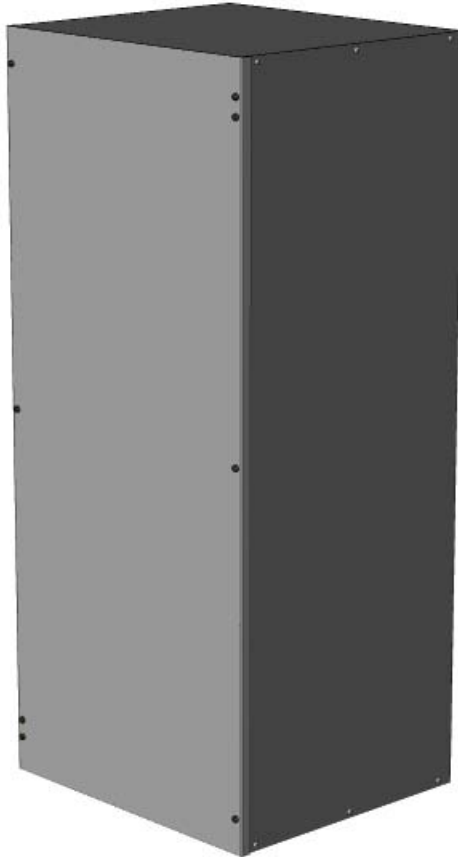


CT cabinets are used to meter single phase and three phase services where the CT's are not included within the meter base. These boxes are manufactured with either galvanized steel or aluminum and come with sealing screws, backpan for mounting CT's and internal mounting holes.



### Features

- Galvanized steel or aluminum construction
- Screw cover
- Sealing screws
- Backpan
- Internal mounting holes

### Specifications

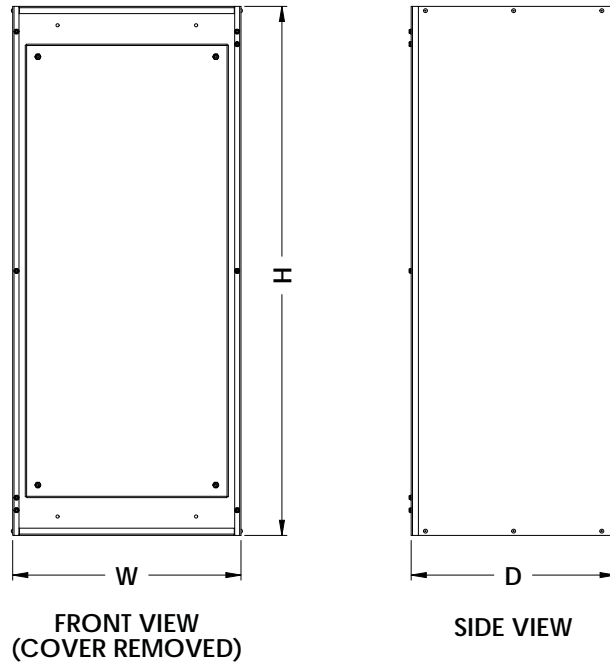
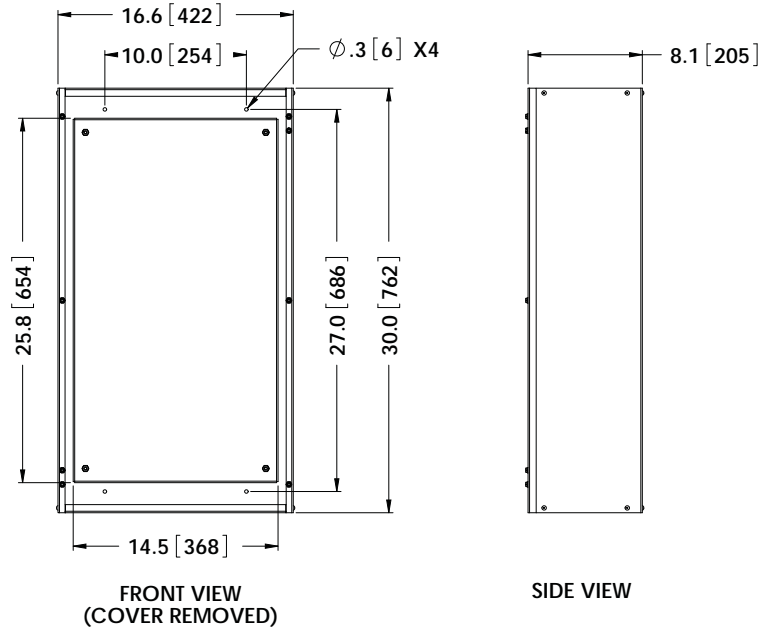
- ETL certified to applicable CSA and UL standards
- Available in 3 different sizes depending on services
- BC Hydro approved

### Benefits

External CT's require housing in a separate enclosure/wireway. This cabinet enables convenient mounting and sealing of CT's required for power consumption monitoring.



CTCX30-16-8



ELECTRICAL/  
CONTROL CABINETS

PART NUMBER	HEIGHT	WIDTH	DEPTH	MATERIAL	SINGLE PHASE SERVICE	THREE PHASE SERVICE
CTCG30-16-8	30"	16"	8"	GALVANIZED STEEL	UP TO 600A	UP TO 400A & BELOW 300V
CTCA30-16-8	30"	16"	8"	ALUMINUM	UP TO 600A	UP TO 400A & BELOW 300V
CTCG42-18-16	42"	18"	16"	GALVANIZED STEEL	OVER 600A	OVER 400A TO 1000A
CTCA42-18-16	42"	18"	16"	ALUMINUM	OVER 600A	OVER 400A TO 1000A
CTCG42-36-24	42"	36"	24"	GALVANIZED STEEL	NOT USED	OVER 1000A
CTCG42-36-24	42"	36"	24"	ALUMINUM	NOT USED	OVER 1000A

CONSULT FACTORY FOR ALTERNATE SIZES AND CONFIGURATIONS FOR OTHER POWER AUTHORITIES