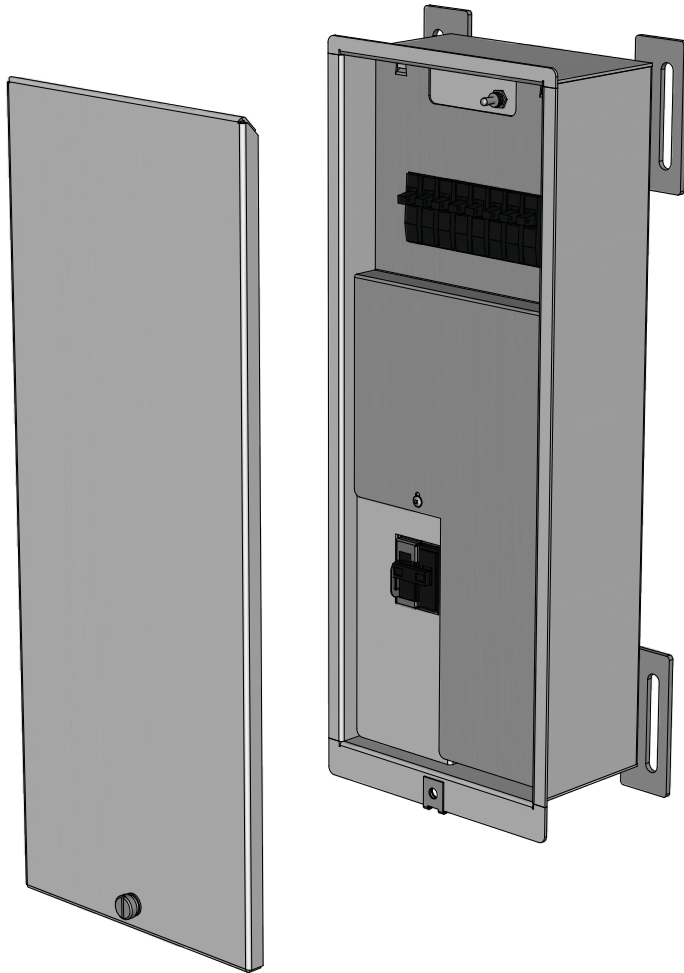


This 100A panel is a pole base mounted service for street lighting distribution and control. The small footprint and efficient design of these panels makes them easy to install and maintain. They are specifically designed to be used within the pole base by encompassing a removable door.



Features

- 304 (#4) stainless steel or marine-grade aluminum
- Aluminum enclosures are powder coated ASA 61 Grey
- NEMA 3R rated
- Service entrance rated
- 8 cct Square D breaker panel
- 3 pole contactor
- Test switch
- Control system breaker
- Lock-out tab on main breaker

Specifications

- 125/250 VAC 1 phase
- 10,000 AIR
- ETL certified to applicable CSA and UL standards
- MOTBC approved
- 100 amp main breaker
- Designed to be used within a 36"H power base

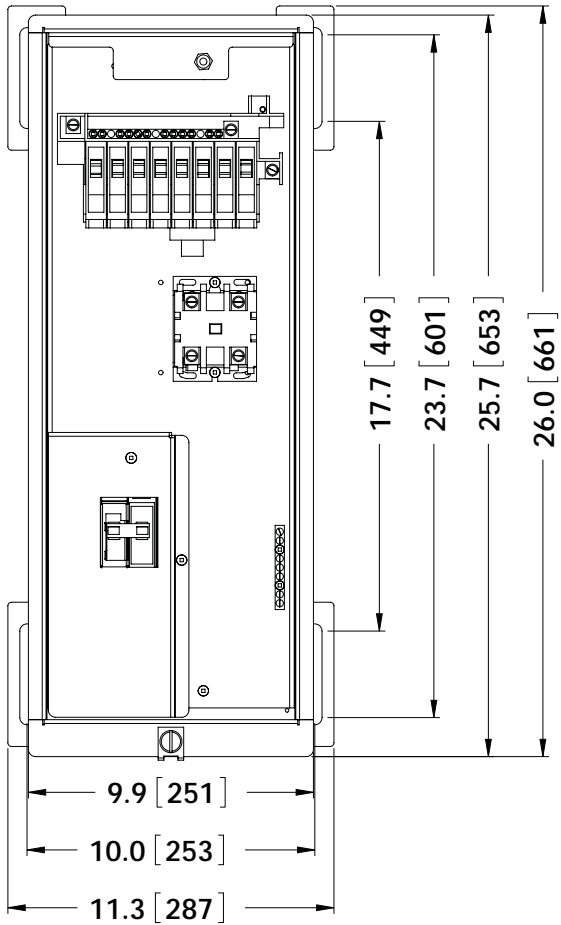
Optional Components

- 30-60 amp main breaker
- Sub breakers as required

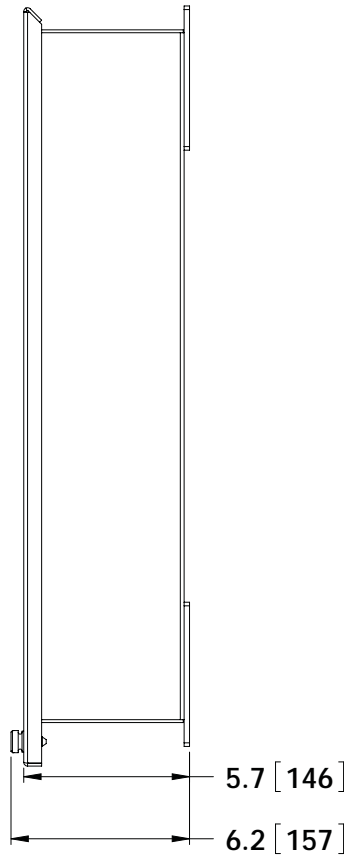
Benefits

The larger-than-standard footprint of this panel allows it to handle additional power loads with the inclusion of an 8 circuit breaker panel.

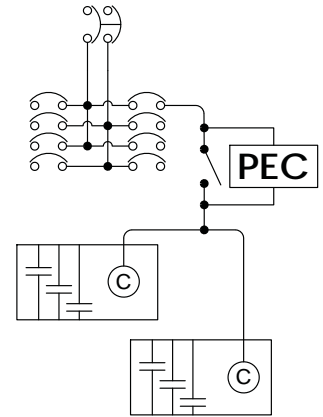




**FRONT VIEW
(COVERS REMOVED)**



SIDE VIEW



PART NUMBER	HEIGHT	WIDTH	DEPTH	MATERIAL	MAIN BREAKER
BSD1A24	26"	10"	5.75"	ALUMINUM	100A
BSD1S24	26"	10"	5.75"	STAINLESS STEEL	100A

FOR ADDITIONAL OPTIONS CONSULT FACTORY